

PURE  
COLLECTION  
2020



PURE - TV DRESSER

K L E O



**PURE 18001**

TV Dresser 3 Drawers 1 Shelf

|          | Size | Packing | CBM   |
|----------|------|---------|-------|
| <b>W</b> | 160  | 165     | 0,495 |
| <b>D</b> | 45   | 50      |       |
| <b>H</b> | 55   | 60      |       |



| PURE 18002           |      |         |       |
|----------------------|------|---------|-------|
| TV Dresser 6 Drawers |      |         |       |
|                      | Size | Packing | CBM   |
| W                    | 160  | 165     | 0,495 |
| D                    | 45   | 50      |       |
| H                    | 55   | 60      |       |



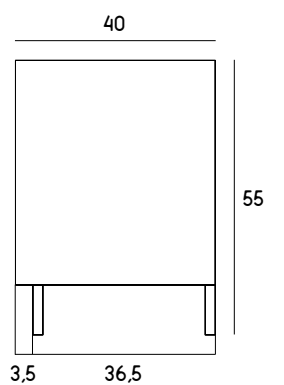
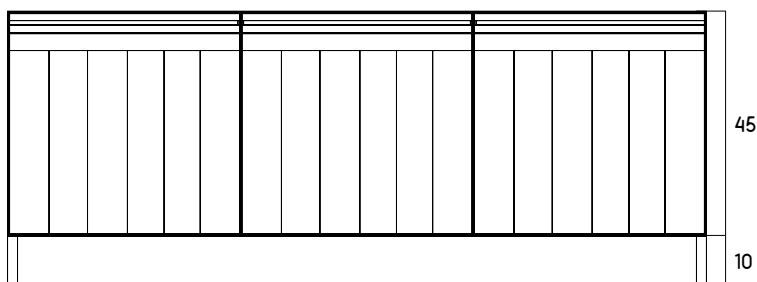
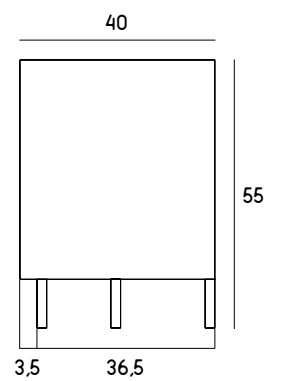
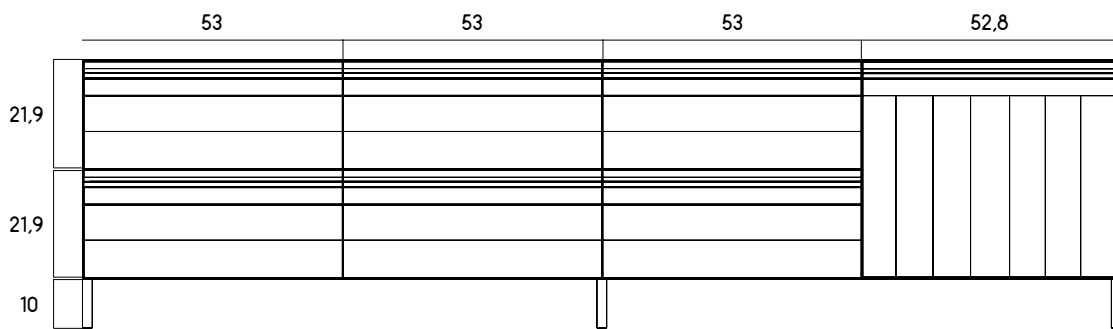
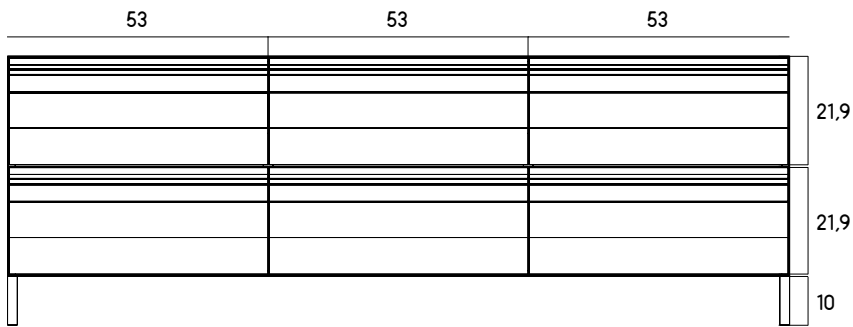
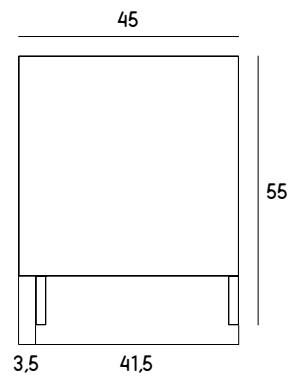
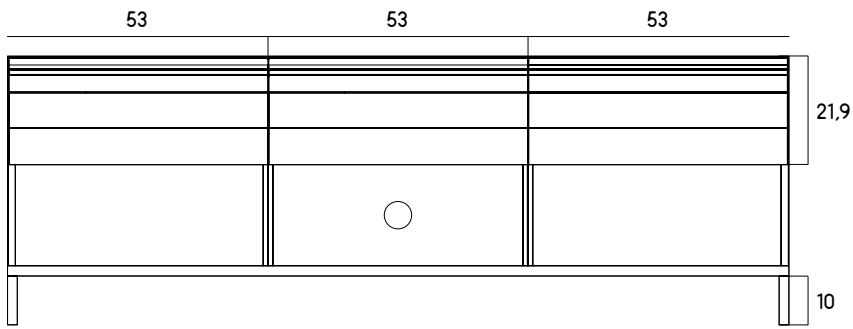
| PURE 18003                  |      |         |       |
|-----------------------------|------|---------|-------|
| TV Dresser 1 Door 6 Drawers |      |         |       |
|                             | Size | Packing | CBM   |
| W                           | 213  | 218     | 0,589 |
| D                           | 40   | 45      |       |
| H                           | 55   | 60      |       |



| PURE 18004         |      |         |       |
|--------------------|------|---------|-------|
| TV Dresser 3 Doors |      |         |       |
|                    | Size | Packing | CBM   |
| W                  | 140  | 145     | 0,392 |
| D                  | 40   | 45      |       |
| H                  | 55   | 60      |       |



PURE TV DRESSERS - SIZE CHART [CM]



PURE 19001

Cabinet 3 Doors

|          | Size | Packing | CBM   |
|----------|------|---------|-------|
| <b>W</b> | 120  | 125     | 0,594 |
| <b>D</b> | 45   | 50      |       |
| <b>H</b> | 90   | 95      |       |





| PURE 19002                |      |         |       |
|---------------------------|------|---------|-------|
| Cabinet 2 Doors 3 Drawers |      |         |       |
|                           | Size | Packing | CBM   |
| W                         | 120  | 125     | 0,594 |
| D                         | 45   | 50      |       |
| H                         | 90   | 95      |       |



**AW 80001 - ARTWORK Collection**  
TORAJA Wall Decoration SQUARE  
60x4x60



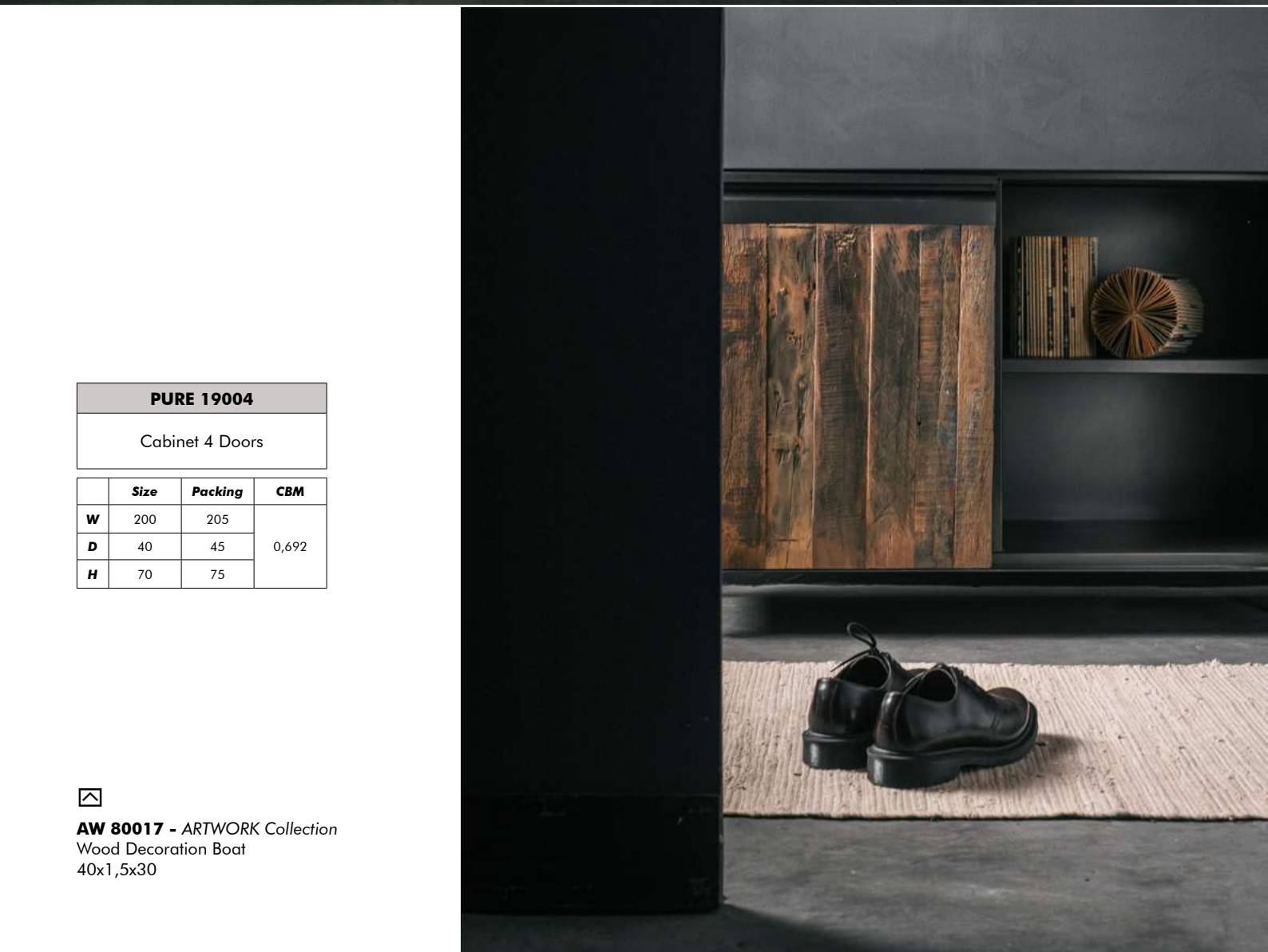


**PURE 19003**

Cabinet 4 Doors

|          | Size | Packing | CBM   |
|----------|------|---------|-------|
| <b>W</b> | 160  | 165     | 0,784 |
| <b>D</b> | 45   | 50      |       |
| <b>H</b> | 90   | 95      |       |





| PURE 19004      |      |         |       |
|-----------------|------|---------|-------|
| Cabinet 4 Doors |      |         |       |
|                 | Size | Packing | CBM   |
| W               | 200  | 205     | 0,692 |
| D               | 40   | 45      |       |
| H               | 70   | 75      |       |

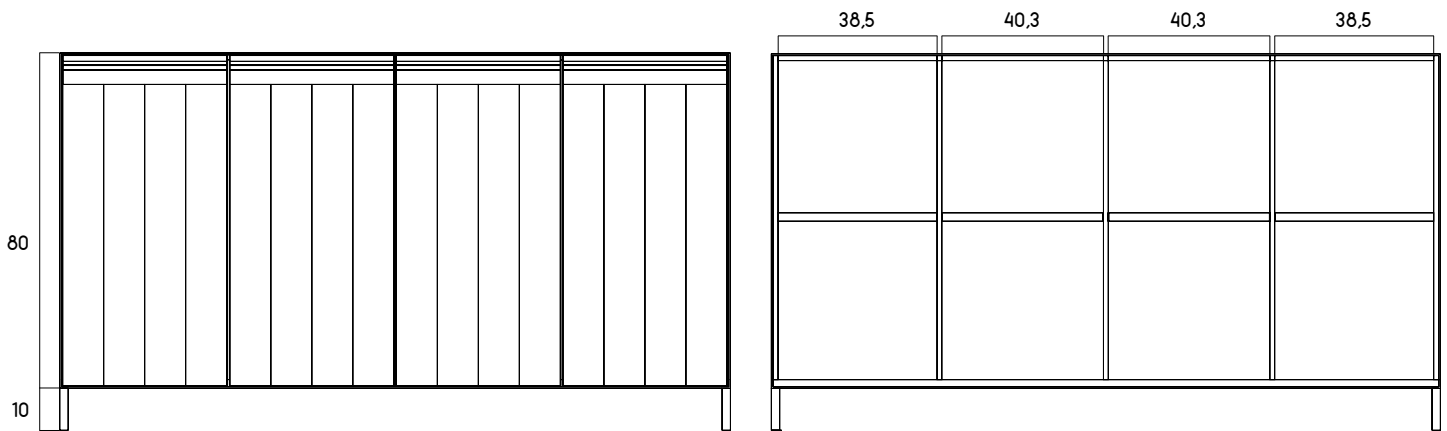
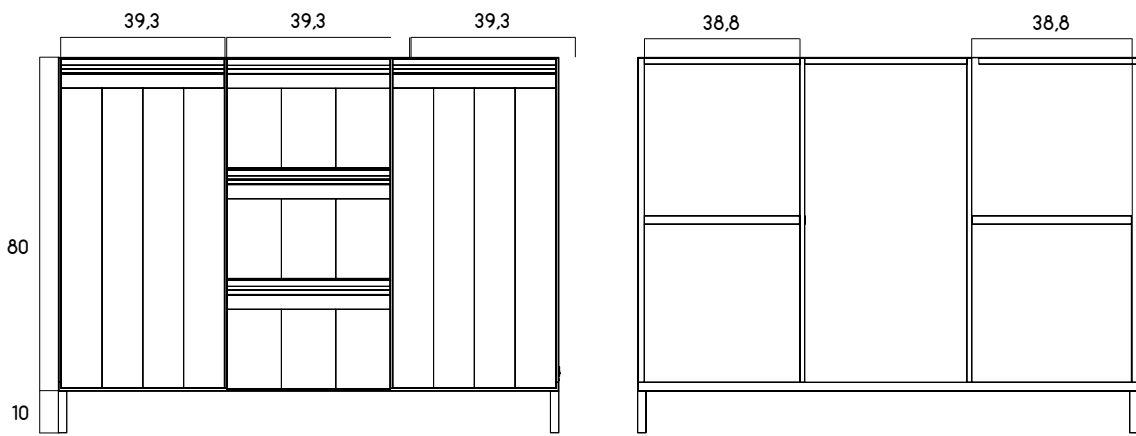
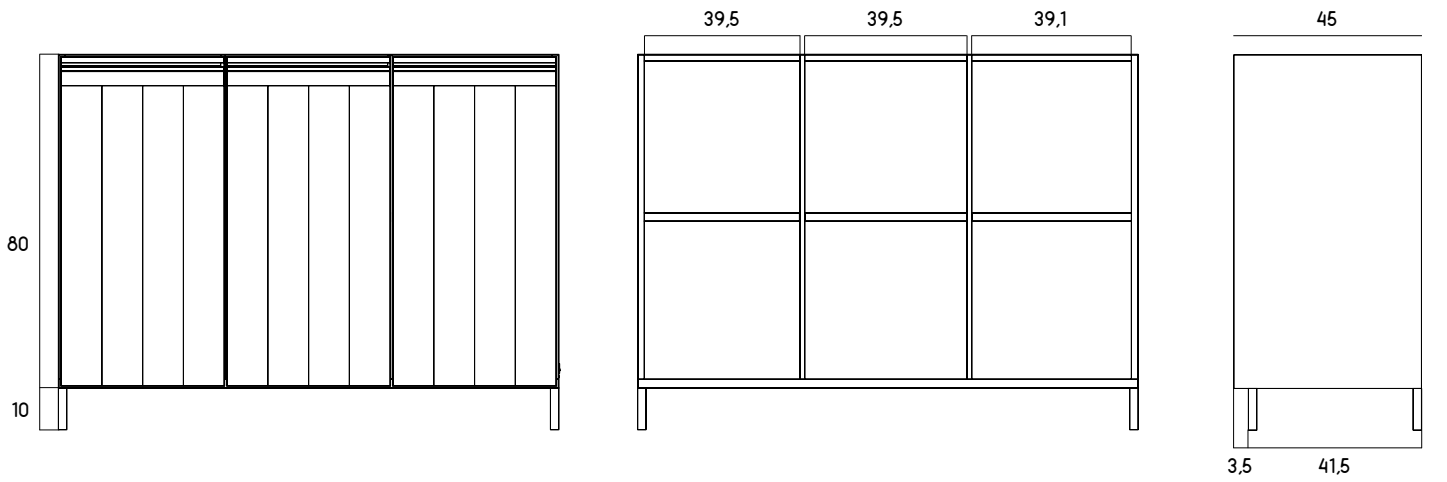


**AW 80017 - ARTWORK Collection**  
 Wood Decoration Boat  
 40x1,5x30

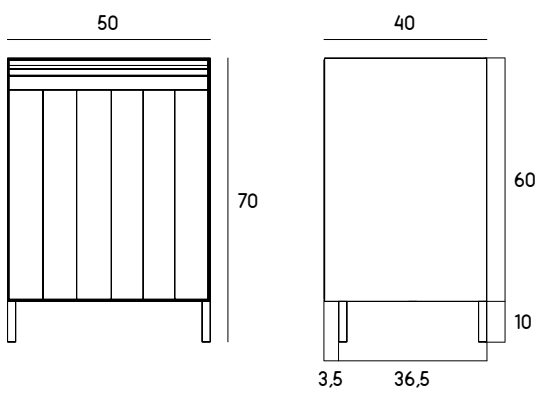
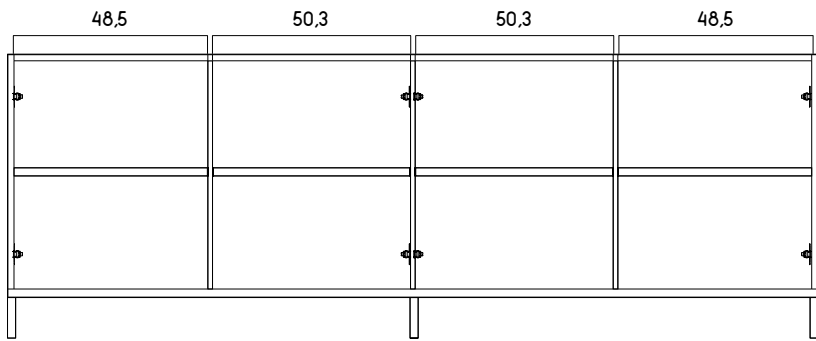
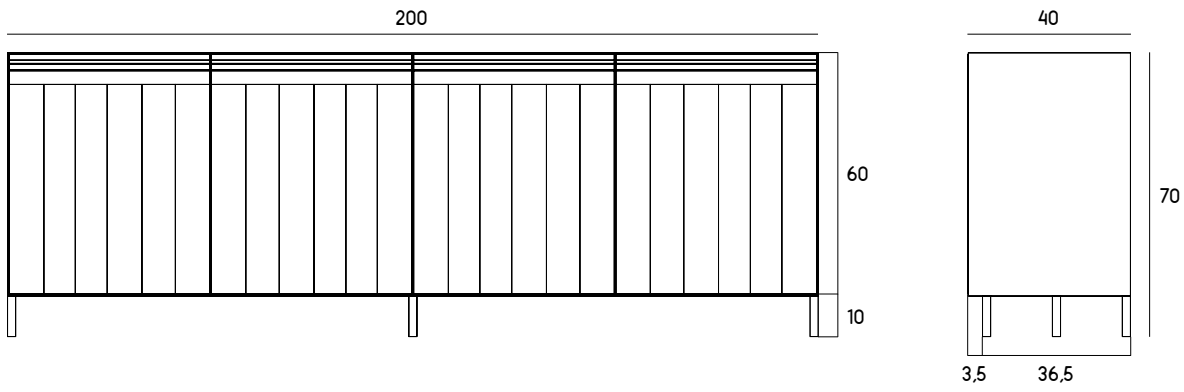


| PURE 19007     |      |         |       |
|----------------|------|---------|-------|
| Cabinet 1 Door |      |         |       |
|                | Size | Packing | CBM   |
| <b>W</b>       | 50   | 55      | 0,186 |
| <b>D</b>       | 40   | 45      |       |
| <b>H</b>       | 70   | 75      |       |

PURE CABINETS - SIZE CHART (CM)



# PURE CABINETS - SIZE CHART (CM)



# PURE - COFFEE TABLE

## PURE 29001

Coffee Table RECTA

|          | Size | Packing | CBM   |
|----------|------|---------|-------|
| <b>W</b> | 120  | 125     | 0,422 |
| <b>D</b> | 70   | 75      |       |
| <b>H</b> | 40   | 45      |       |





| PURE 29002          |      |         |       |
|---------------------|------|---------|-------|
| Coffee Table SQUARE |      |         |       |
|                     | Size | Packing | CBM   |
| W                   | 80   | 85      | 0,325 |
| D                   | 80   | 85      |       |
| H                   | 40   | 45      |       |

PURE - COFFEE TABLE



**PURE 29003**

Coffee Table SQUARE

|          | <b>Size</b> | <b>Packing</b> | <b>CBM</b> |
|----------|-------------|----------------|------------|
| <b>W</b> | 100         | 105            | 0,496      |
| <b>D</b> | 100         | 105            |            |
| <b>H</b> | 40          | 45             |            |





**PURE 29004**

Coffee Table 2 Drawers RECTA

|          | Size  | Packing | CBM   |
|----------|-------|---------|-------|
| <b>W</b> | 107,5 | 112     | 0,378 |
| <b>D</b> | 70    | 75      |       |
| <b>H</b> | 40    | 45      |       |

